

SpaceLogic™ AS-B

Server Models

Safety Information

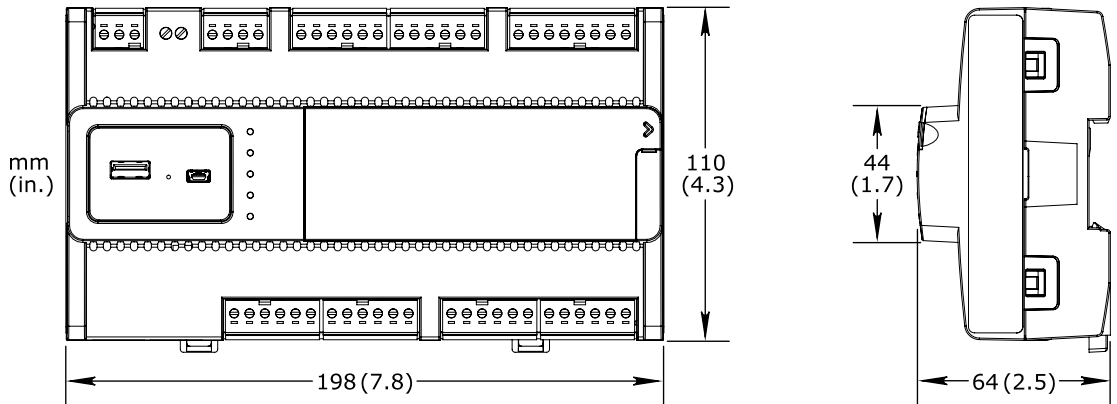
Electrical equipment should be installed, operated, serviced, and maintained only by qualified personnel. No responsibility is assumed by Schneider Electric for any consequences arising out of the use of this material. Carefully read these instructions and all information relevant for this product before trying to install it. See the list of technical literature.

Technical Literature

- SpaceLogic and EasyLogic - Hardware Reference Guide, 04-XX001-XX-en

The technical literature and declarations of conformity can be accessed on the Schneider Electric extranet, ecoxpert.se.com. Contact your local Schneider Electric sales office for a hard copy of the documentation or for additional information.

Dimensions



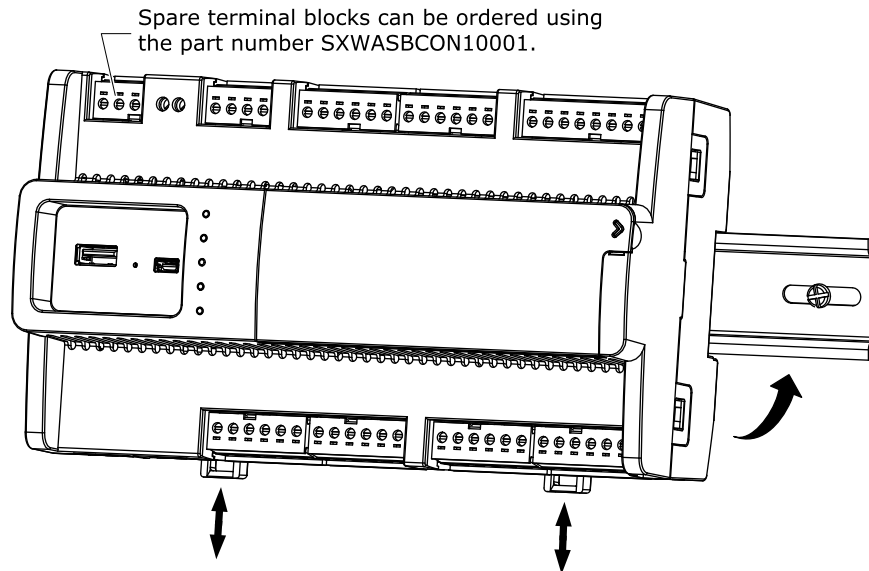
Installing the Device

NOTICE

REDUCED DEVICE LIFE SPAN

Install the device on a horizontal DIN rail to provide sufficient cooling air flow through the device.

Failure to follow these instructions can result in reduced life span of the device.



Installing a Terminal Block

⚠️ WARNING

HAZARD OF ELECTRIC SHOCK OR DEVICE ELECTRONICS DAMAGE

Install only a wired terminal block that matches the labeling of the terminals on the device.

Failure to follow these instructions can result in death, serious injury, or equipment damage.

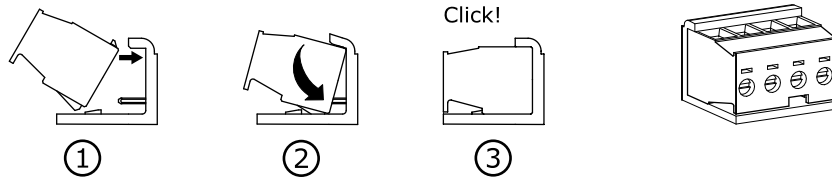
Installing a Terminal Block, continued

NOTICE

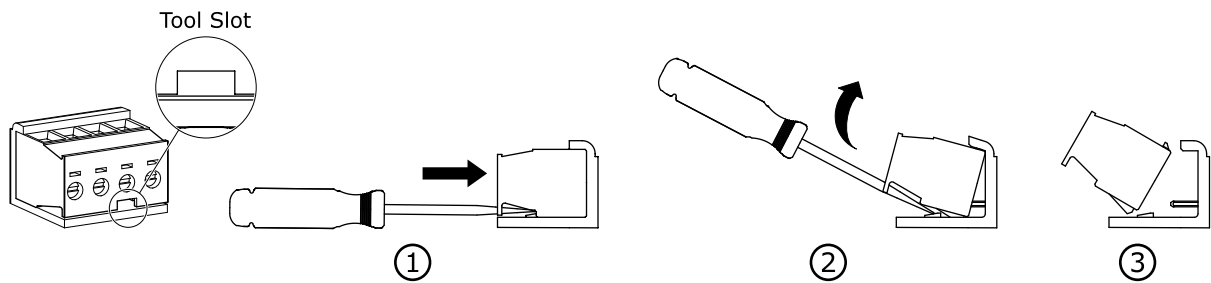
EQUIPMENT DAMAGE

- Use only terminal blocks delivered with the device or ordered from Schneider Electric using the part number SXWASBCON10001.
- Do not push the terminal block straight down into the connector header as this may crack the header.

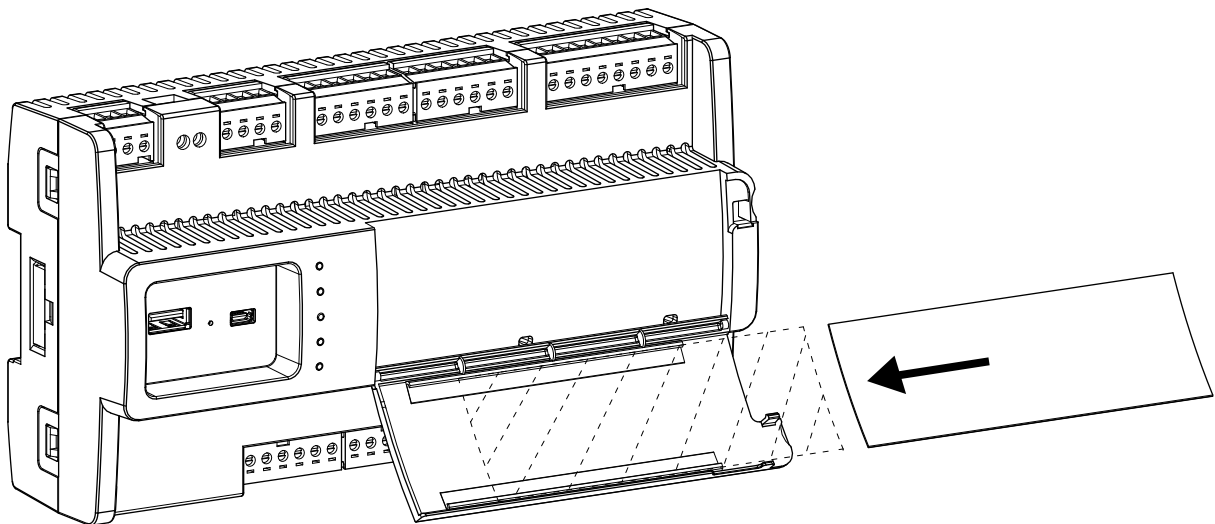
Failure to follow these instructions can result in equipment damage.



Removing a Terminal Block



Labeling the Device



Connections

⚠ ⚠ DANGER

HAZARD OF ELECTRIC SHOCK, EXPLOSION, OR ARC FLASH

Disconnect the power supply and other high voltage equipment before wiring.

Failure to follow these instructions will result in death or serious injury.

NOTICE

EQUIPMENT DAMAGE

Do not connect 230 VAC or 110 VAC to any terminal.

Failure to follow these instructions can result in equipment damage.

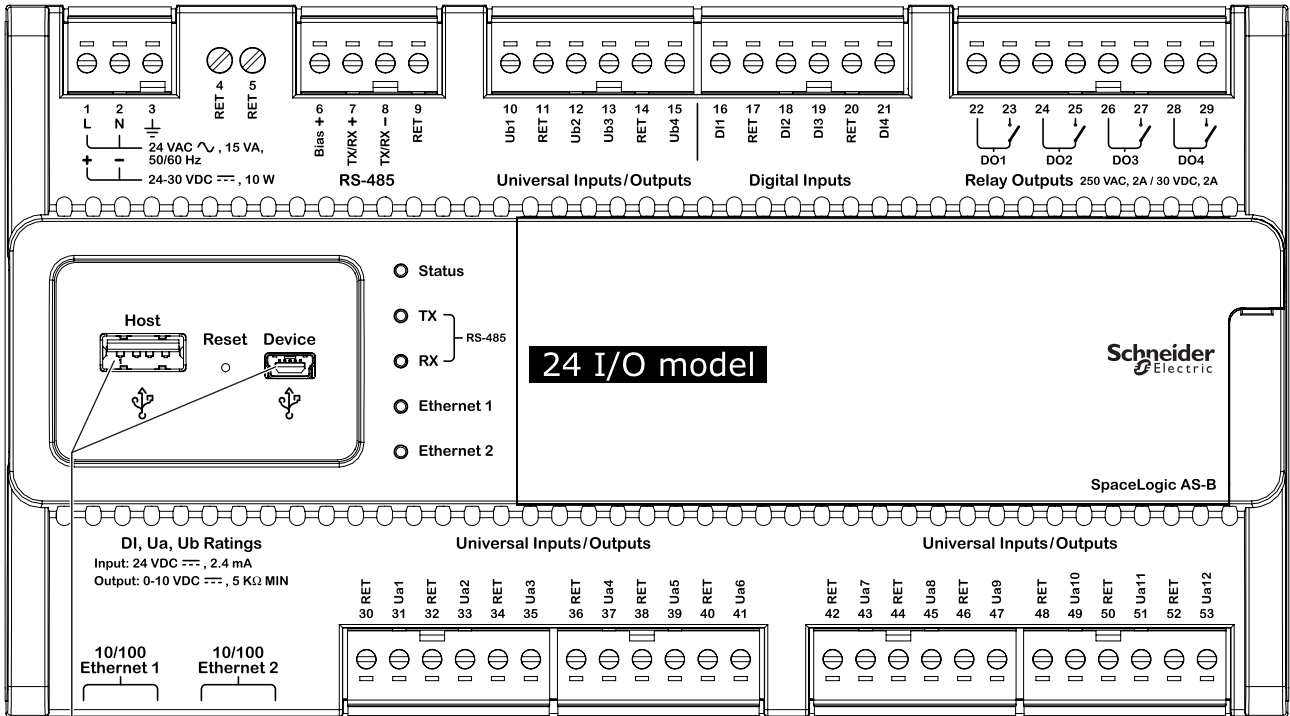
Connections, continued

NOTICE

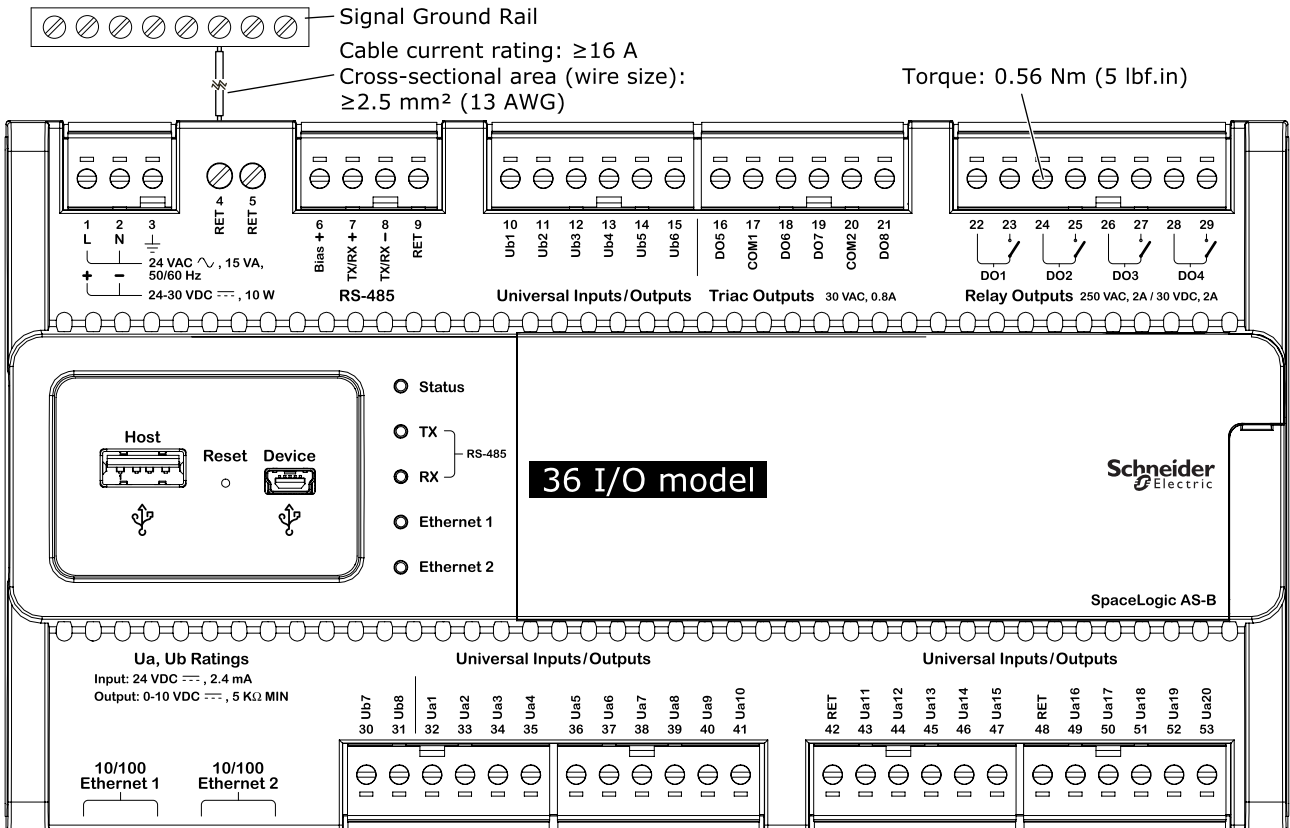
DECREASED RS-485 NETWORK PERFORMANCE

Consider the RS-485 bus termination and biasing. For more information, see the Hardware Reference Guide.

Failure to follow these instructions can result in decreased performance and reliability of the RS-485 network.



The connection cable for the USB ports must not exceed 3 m (10 ft).



Part Numbers

Product	Part number
AS-B-24	SXWASB24X10001
AS-B-24H	SXWASB24H10001
AS-B-24-P	SXWASB24PX10001
AS-B-24H-P	SXWASB24HP10001
AS-B-36	SXWASB36X10001
AS-B-36H	SXWASB36H10001
AS-B-36-P	SXWASB36PX10001
AS-B-36H-P	SXWASB36HP10001
AS-B connector kit	SXWASBCON10001
AS-B installer kit	SXWASBINS10001

- AS-B servers with "H" in the product name are equipped with an override display.
- AS-B servers with "P" in the product name are hardware only. An AS-B software package needs to be purchased separately for these models. For more information, see the AS-B - SpaceLogic Plant Room Controllers and Servers Specification Sheet.

Wiring

Recommended screw tightening torque: 0.56 Nm (5 lbf.in)
For information on wiring, see the SpaceLogic and EasyLogic - Hardware Reference Guide.

AS-B Software

The AS-B server is delivered without software. Install the software on the AS-B server using Device Administrator.

Software License Notice

This product contains code that is covered by the GNU General Public License (GPL). The relevant code is available on the Schneider Electric extranet, ecoxpert.se.com

Specifications

AC input Nominal voltage 24 VAC \sim 50/60 Hz Recommended transformer rating ≥15 VA	Mechanical Ingress protection rating IP 20 Plastic flame rating UL94-5VB	Output rating 0 to 10 VDC --- , 5 kohm (min.) Channels 4 (Models with 24 I/O points) 8 (Models with 36 I/O points)
DC input Nominal voltage 24 to 30 VDC --- Power consumption 10 W	IP networking IP address assignment methods Static, DHCP (default), Auto-IP (address range 169.254.0.1 to 169.254.255.254, subnet mask 255.255.0.0)	DO – Relay outputs Relay contact rating 250 VAC \sim / 30 VDC --- , 2 A Pilot Duty (C300) Channels 4
Port types USB device port Mini-B USB host port Type-A Ethernet port 1 and 2 10/100BASE-TX RJ45	Ua – Universal I/O Input rating 24 VDC --- , 2.4 mA Output rating 0 to 10 VDC --- , 5 kohm (min.) Channels 12 (Models with 24 I/O points) 20 (Models with 36 I/O points)	DO – Triac outputs Triac rating Max. 30 VAC \sim , 0.8 A Channels 4 (Models with 36 I/O points)
Operation environment Ambient temperature, operating 0 to 50 °C (32 to 122 °F) Humidity Maximum 95 % RH non-condensing	Ub – Universal I/O Input rating 24 VDC --- , 2.4 mA	DI – Digital inputs Input rating 24 VDC --- , 2.4 mA Channels 4 (Models with 24 I/O points)

Addendum - California Proposition 65 Warning Statement for California Residents

⚠ WARNING: This product can expose you to chemicals including lead which is known to the State of California to cause cancer and which is known to the State of California to cause birth defects or other reproductive harm. For more information go to www.P65Warnings.ca.gov

部件名称 (Part Name)	有害物质 (Hazardous Substances)					
	铅 (Pb)	汞 (Hg)	镉 (Cd)	六价铬 (Cr (VI))	多溴联苯 (PBB)	多溴二苯醚 (PBDE)
塑料部件 (Plastic Parts)	○	○	○	○	○	○
电子件 (Electronics)	X	○	○	○	○	○

本表格依据 SJ/T11364 的规定编制。(This table is made according to SJ/T 11364.)

○: 表示该有害物质在该部件所有均质材料中的含量均在 GB/T 26572 规定的限量要求以下。
(Indicates that the concentration of hazardous substance in all of the homogeneous materials for this part is below the limit as stipulated in GB/T 26572.)

X: 表示该有害物质至少在该部件的某一均质材料中的含量超出 GB/T 26572 规定的限量要求。
(Indicates that the concentration of hazardous substance in at least one of the homogeneous materials used for this part is above the limit as stipulated in GB/T 26572.)

