

SpaceLogic™ MP-C

Controller Models

Part numbers: SXWMPC15A10001, SXWMPC18A10001, SXWMPC18B10001, SXWMPC24A10001, and SXWMPC36A10001

Safety Information

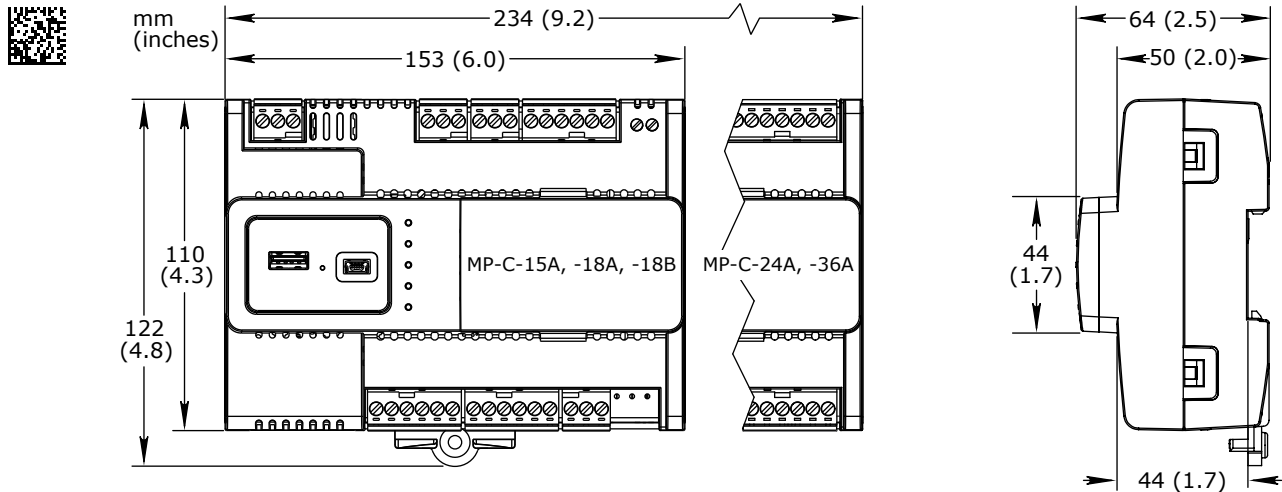
Electrical equipment should be installed, operated, serviced, and maintained only by qualified personnel. No responsibility is assumed by Schneider Electric for any consequences arising out of the use of this material. Carefully read these instructions and all information relevant for this product before trying to install it. See the list of technical literature.

Technical Literature

- SpaceLogic and EasyLogic - Hardware Reference Guide, 04-XX001-XX-en

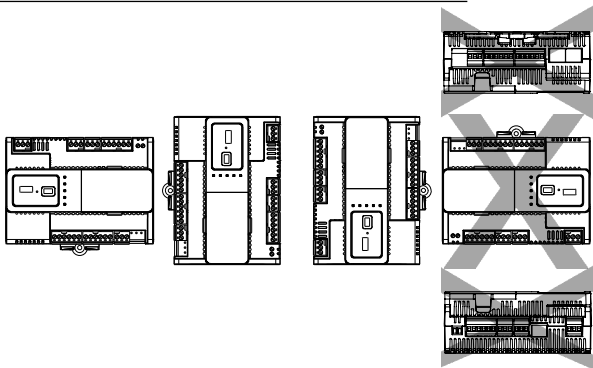
The technical literature and declarations of conformity can be accessed on the Schneider Electric extranet, ecoxpert.se.com. Contact your local Schneider Electric sales office for a hard copy of the documentation or for additional information.

Dimensions

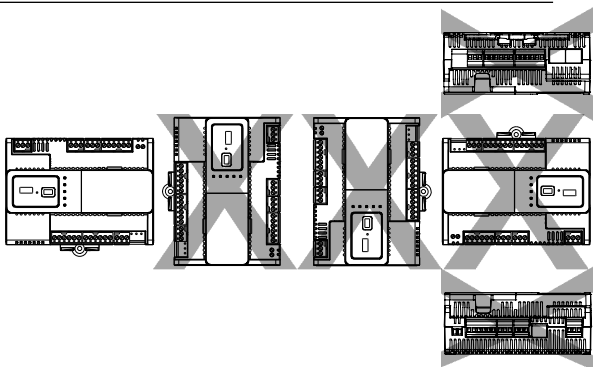


Installation Orientation Restrictions

Normal operation, 0 to 50 °C (32 to 122 °F):



Rooftop application, -40 to +60 °C (-40 to +140 °F):



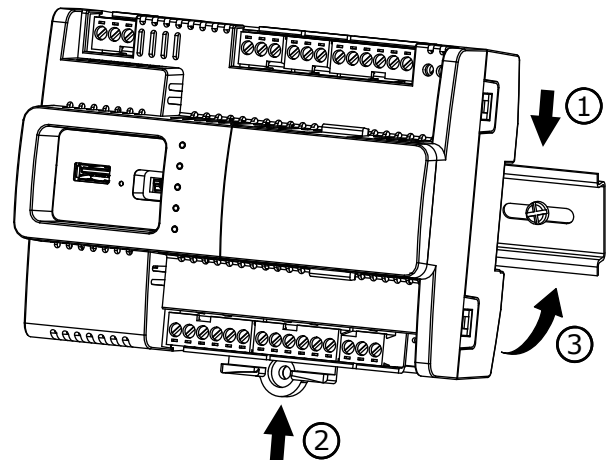
Installing the Device on a DIN Rail

NOTICE

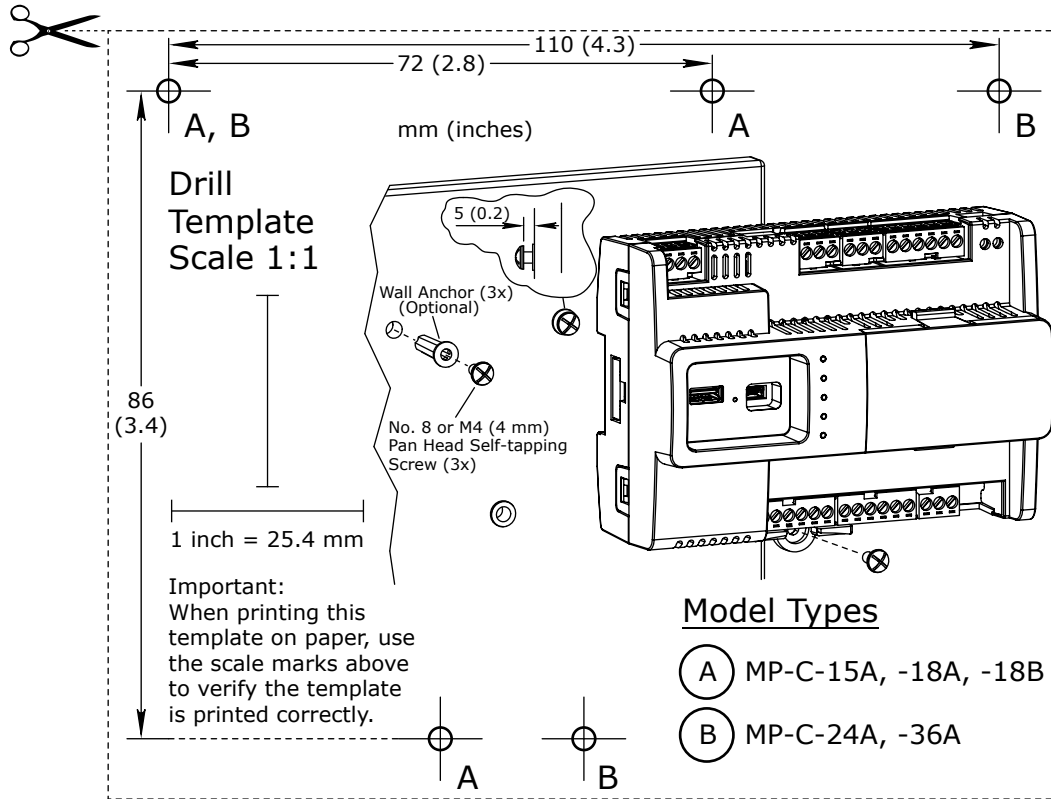
CONTROLLER DAMAGE

Use the DIN rail end clip when you install the controller on a vertical DIN rail.

Failure to follow these instructions can result in equipment damage.



Installing the Device on a Flat Surface



Connections

⚠️ DANGER

HAZARD OF ELECTRIC SHOCK, EXPLOSION, OR ARC FLASH

- Disconnect all line voltage connected to the controller and its relay outputs before working on the device.
- More than one disconnect switch may be required to de-energize this equipment before servicing.
- Connect only devices with safe extra low voltage equipment (SELV/PELV) inputs/outputs to the controller universal inputs/outputs.

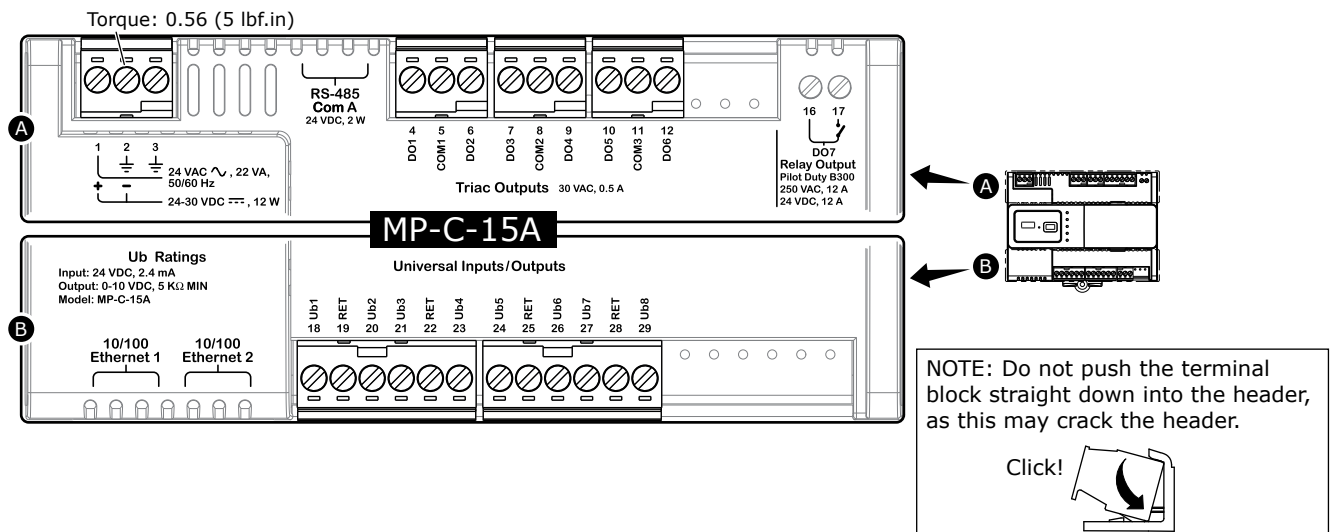
Failure to follow these instructions will result in death or serious injury.

NOTICE

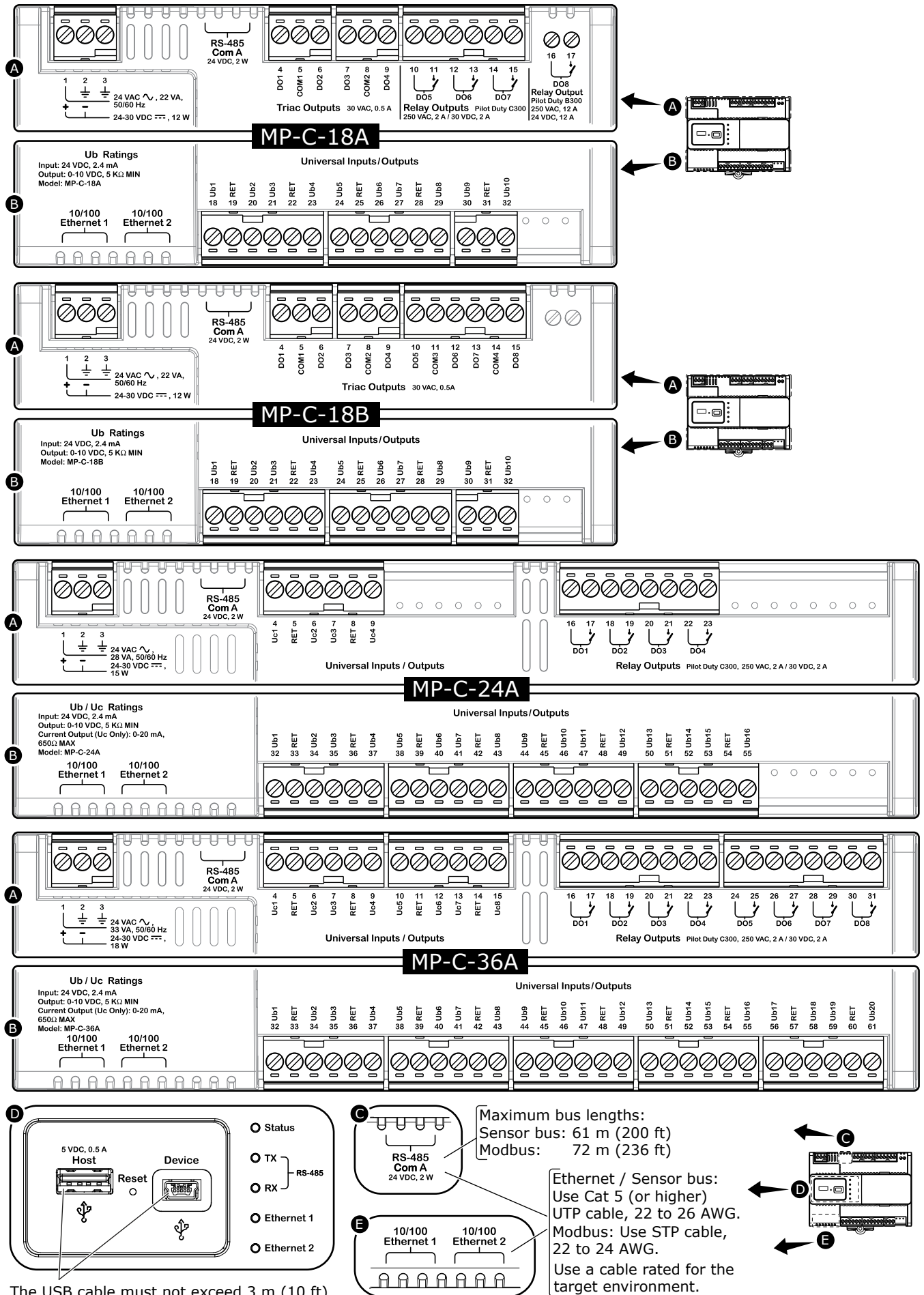
CONTROLLER DAMAGE

Before powering up MP-C, ensure that the input power polarity is correct, the voltage level meets the specifications of the controller, and the terminal blocks are plugged into the correct connector headers on the controller.

Failure to follow these instructions can result in equipment damage.



Connections, continued



Wiring

Recommended screw tightening torque: 0.56 Nm (5 lbf.in)

For information on wiring, see the SpaceLogic and EasyLogic - Hardware Reference Guide.

Part Numbers

Product	Part number
MP-C-15A	SXWMPC15A10001
MP-C-18A	SXWMPC18A10001
MP-C-18B	SXWMPC18B10001
MP-C-24A	SXWMPC24A10001
MP-C-36A	SXWMPC36A10001
MP-C DISPLAY (MP-C override display module)	SXWMPCDSP10001
Spare terminal blocks for all MP-C models	SXWMPCCON10001
DIN-rail end clip, 25 pieces	SXWDINEND10001
Non-isolated RS-485 adapter (cable not included)	SXWNISORS48510001
RS-485 power adapter (cable not included)	SXWNISORS485P10001

Specifications

<p>AC input</p> <p>Nominal voltage 24 VAC \sim 50/60 Hz</p> <p>Power consumption MP-C-15A, -18A, -18B: 22 VA MP-C-24A: 28 VA MP-C-36A: 33 VA</p> <p>DC input</p> <p>Nominal voltage 24 to 30 VDC ---</p> <p>Power consumption MP-C-15A, -18A, -18B: 12 W MP-C-24A: 15 W MP-C-36A: 18 W</p> <p>Port types</p> <p>USB device port Mini-B</p> <p>USB host port Type-A</p> <p>Ethernet port 1 and 2 10/100BASE-TX RJ45</p> <p>RS-485 port Com A 24 VDC, 2 W, RS-485 (RJ45)</p>	<p>Operation environment</p> <p>Ambient temperature, operating 0 to 50 °C (32 to 122 °F) at normal operation -40 to +60 °C (-40 to +140 °F) for rooftop applications, horizontal installation only See section Installation Orientation Restrictions. MP-C Display temperature range: -30 to +60 °C (-22 to +140 °F)</p> <p>Humidity Maximum 95 % RH non-condensing</p> <p>Mechanical</p> <p>Ingress protection rating IP 20</p> <p>Plastic flame rating UL94-5VB</p> <p>IP networking</p> <p>IP address assignment methods Static, DHCP (default), Auto-IP (address range 169.254.0.1 to 169.254.255.254, subnet mask 255.255.0.0)</p> <p>Ub – Universal I/O</p> <p>Input rating 24 VDC ---, 2.4 mA</p> <p>Voltage output rating 0 to 10 VDC ---, 5 kohm (min.)</p> <p>Channels MP-C-15A: 8; -18A: 10; -18B: 10; -24A: 16; -36A: 20</p>	<p>Uc – Universal I/O</p> <p>Input rating 24 VDC ---, 2.4 mA</p> <p>Voltage output rating 0 to 10 VDC ---, 5 kohm (min.)</p> <p>Current output rating 0 to 20 mA, 650 ohm (max.)</p> <p>Channels MP-C-15A: 0; -18A: 0; -18B: 0; -24A: 4; -36A: 8</p> <p>DO – Relay outputs</p> <p>Relay contact rating 250 VAC \sim / 30 VDC ---, 2 A Pilot Duty (C300)</p> <p>Channels MP-C-15A: 0; -18A: 3; -18B: 0; -24A: 4; -36A: 8</p> <p>DO – High power relay outputs</p> <p>Relay contact rating 250 VAC \sim / 24 VDC ---, 12 A Pilot Duty (B300)</p> <p>Channels MP-C-15A: 1; -18A: 1; -18B: 0; -24A: 0; -36A: 0</p> <p>DO – Triac outputs</p> <p>Triac rating Max. 30 VAC \sim, 0.5 A</p> <p>Channels MP-C-15A: 6; -18A: 4; -18B: 8; -24A: 0; -36A: 0</p>
---------------------------------------------------------------------------------------------------------------------------------------------------------------------------------------------------------------------------------------------------------------------------------------------------------------------------------------------------------------------------------------------------------------------------------------------------------------------------------------------------------------------------------------------------------------------------------------------------------------------	------------------------------------------------------------------------------------------------------------------------------------------------------------------------------------------------------------------------------------------------------------------------------------------------------------------------------------------------------------------------------------------------------------------------------------------------------------------------------------------------------------------------------------------------------------------------------------------------------------------------------------------------------------------------------------------------------------------------------------------------------------------------------------------------------------------------------------------------------------------------------------------------------------------------------------------------------------------------------------------	-------------------------------------------------------------------------------------------------------------------------------------------------------------------------------------------------------------------------------------------------------------------------------------------------------------------------------------------------------------------------------------------------------------------------------------------------------------------------------------------------------------------------------------------------------------------------------------------------------------------------------------------------------------------------------------------------------------------------------------------------------------------------------------------------------------------------------------------------------------------------------------------------------------------------------------------------------------------------------------------------------------------

Addendum - California Proposition 65 Warning Statement for California Residents

⚠ WARNING: This product can expose you to chemicals including lead which is known to the State of California to cause cancer and which is known to the State of California to cause birth defects or other reproductive harm. For more information go to www.P65Warnings.ca.gov

部件名称 (Part Name)	有害物质 (Hazardous Substances)					
	铅 (Pb)	汞 (Hg)	镉 (Cd)	六价铬 (Cr (VI))	多溴联苯 (PBB)	多溴二苯醚 (PBDE)
塑料部件 (Plastic Parts)	○	○	○	○	○	○
电子件 (Electronics)	X	○	○	○	○	○

本表格依据 SJ/T11364 的规定编制。(This table is made according to SJ/T 11364.)

○: 表示该有害物质在该部件所有均质材料中的含量均在 GB/T 26572 规定的限量要求以下。
(Indicates that the concentration of hazardous substance in all of the homogeneous materials for this part is below the limit as stipulated in GB/T 26572.)

X: 表示该有害物质至少在该部件的某一均质材料中的含量超出 GB/T 26572 规定的限量要求。
(Indicates that the concentration of hazardous substance in at least one of the homogeneous materials used for this part is above the limit as stipulated in GB/T 26572.)

