

EasyLogic™ RP-IO

I/O Module Models

Part numbers: SXWRIOF12AM10001 and SXWRIOF16EM10001

Safety Information

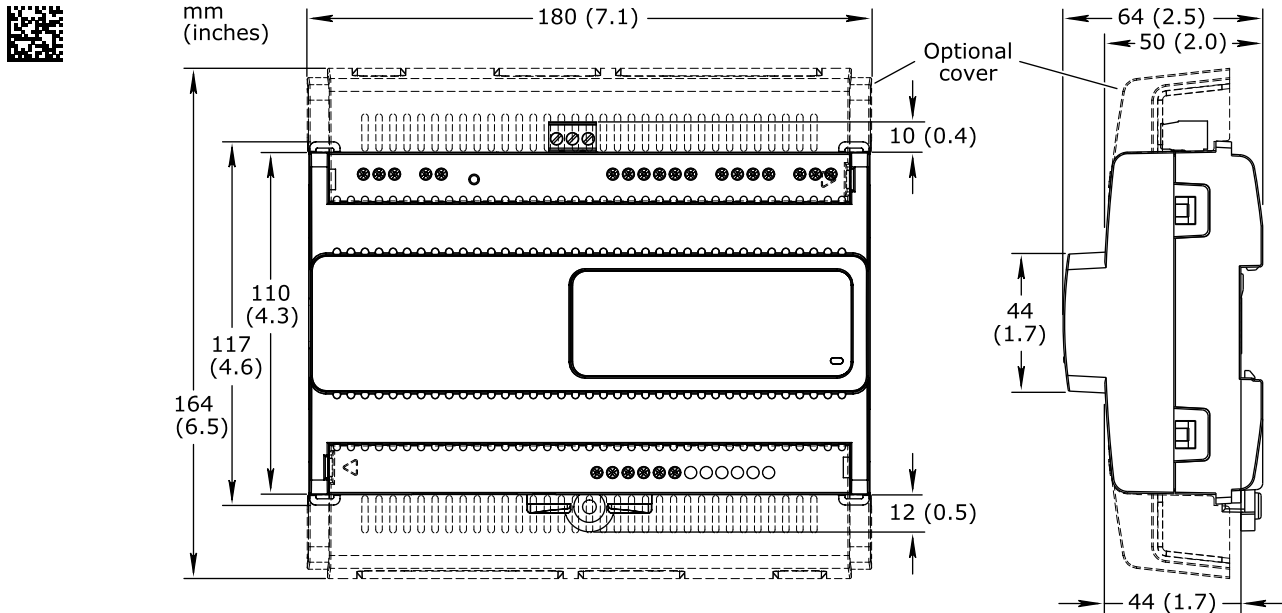
Electrical equipment should be installed, operated, serviced, and maintained only by qualified personnel. No responsibility is assumed by Schneider Electric for any consequences arising out of the use of this material. Carefully read these instructions and all information relevant for this product before trying to install it. See the list of technical literature.

Technical Literature

- SpaceLogic and EasyLogic - Hardware Reference Guide, 04-XX001-XX-en

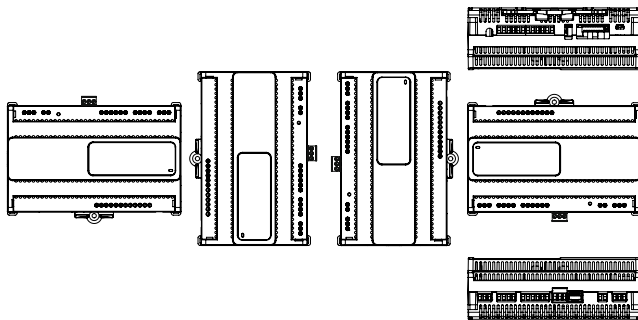
The technical literature and declarations of conformity can be accessed on the Schneider Electric extranet, ecoxpert.se.com. Contact your local Schneider Electric sales office for a hard copy of the documentation or for additional information.

Dimensions



Installation Orientations

Normal operation, 0 to 50 °C (32 to 122 °F):



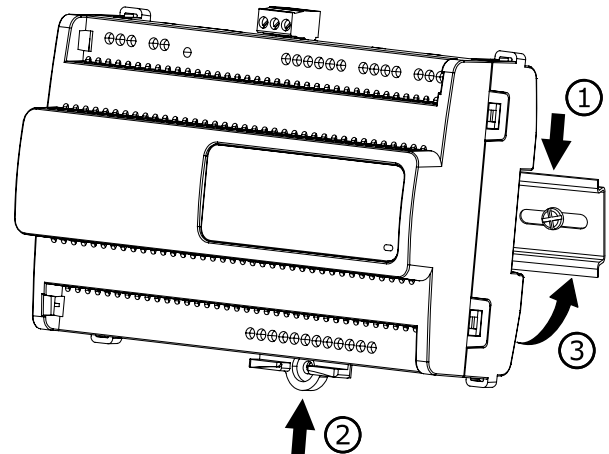
Installing the Device on a DIN Rail

NOTICE

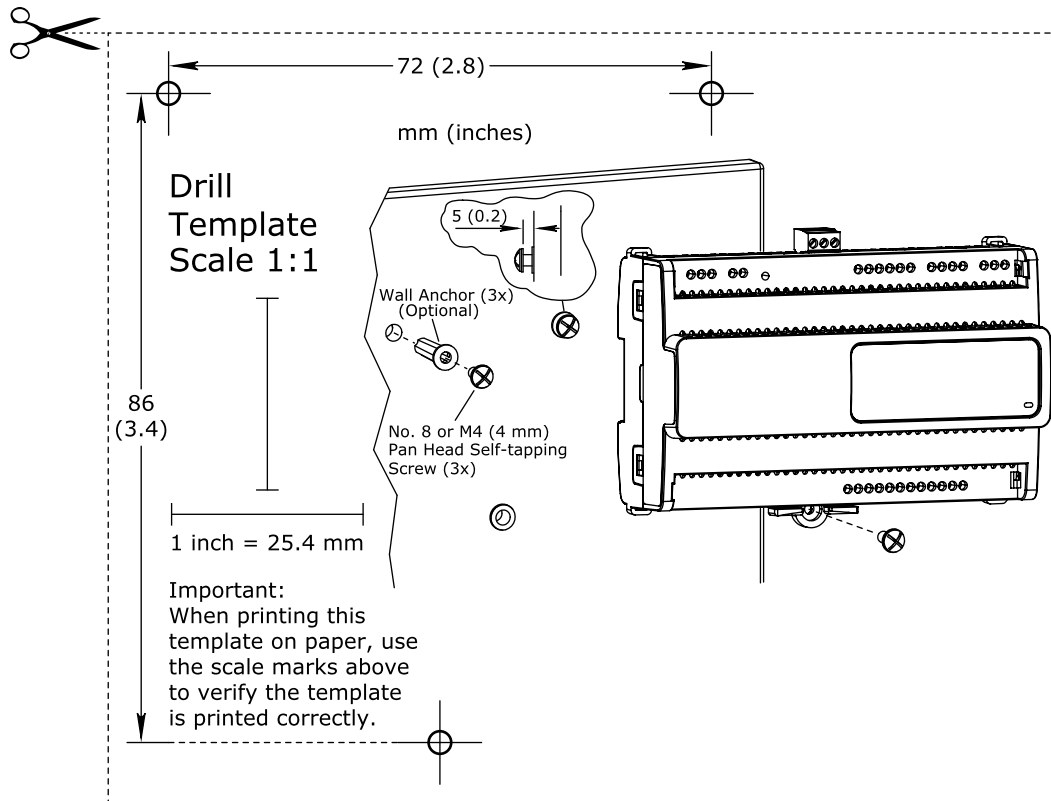
EQUIPMENT DAMAGE

Use the DIN rail end clip when you install the device on a vertical DIN rail.

Failure to follow these instructions can result in equipment damage.

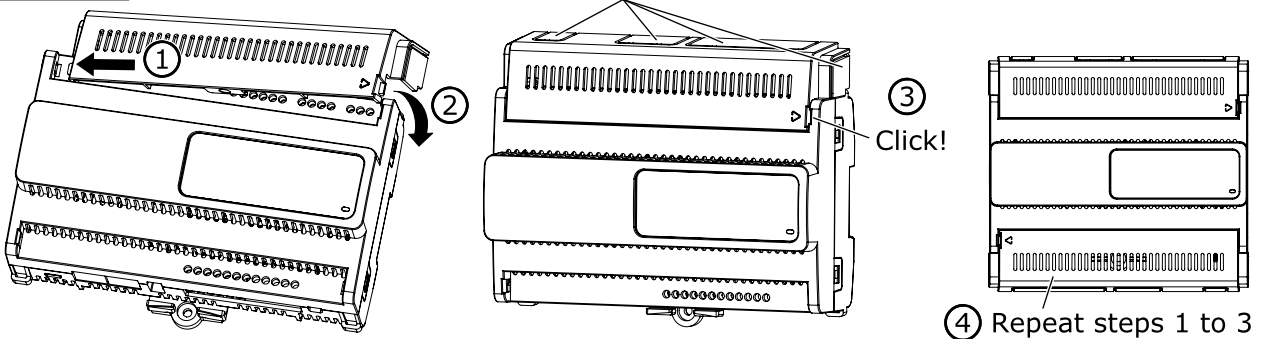


Installing the Device on a Flat Surface

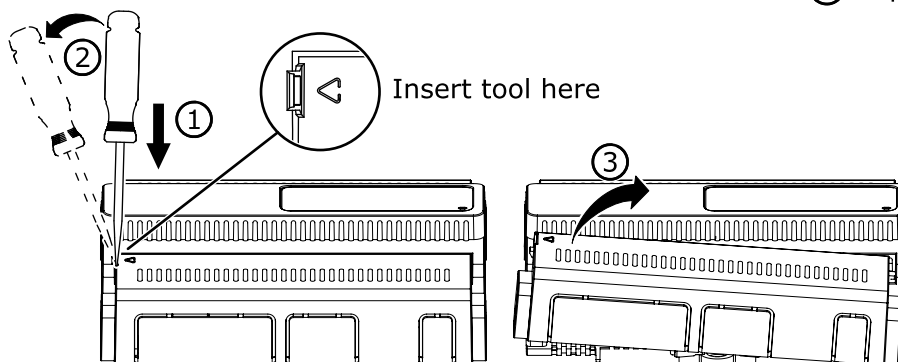


Installing and Removing the Optional Covers

Installation:



Removal:



Connections and DIP Switch

⚠️ ⚠️ DANGER

HAZARD OF ELECTRIC SHOCK, EXPLOSION, OR ARC FLASH

- Disconnect all line voltage connected to the RP-IO module before working on the device.
- More than one disconnect switch may be required to de-energize this equipment before servicing.
- Connect only devices with safe extra low voltage equipment (SELV/PELV) inputs/outputs to the RP-IO module universal inputs/outputs.

Failure to follow these instructions will result in death or serious injury.

Connections and DIP Switch, continued

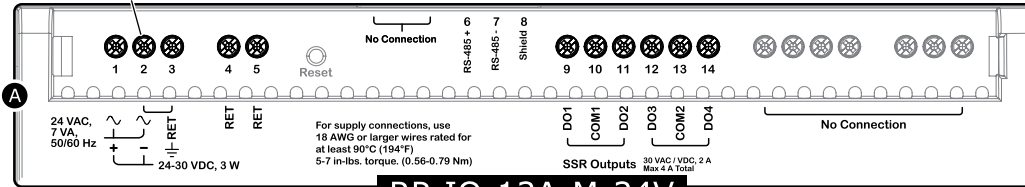
NOTICE

EQUIPMENT DAMAGE

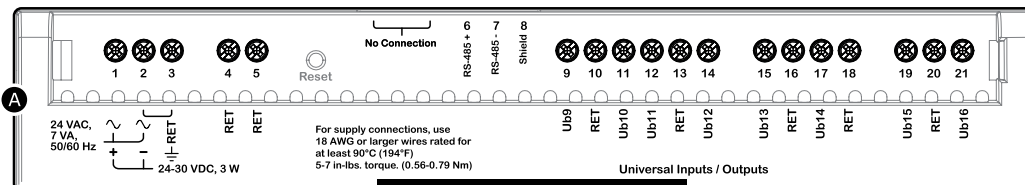
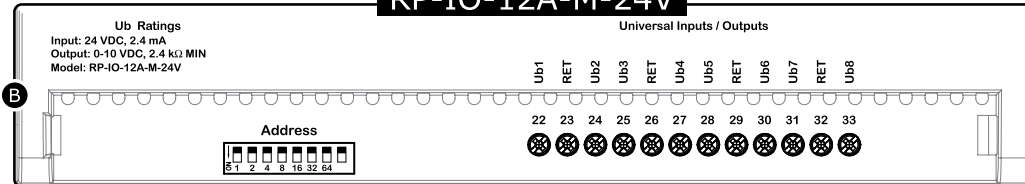
Before powering up the RP-IO module, ensure that the input power polarity is correct and that the voltage level meets the specifications of the module.

Failure to follow these instructions can result in equipment damage.

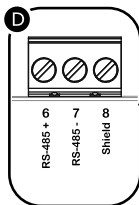
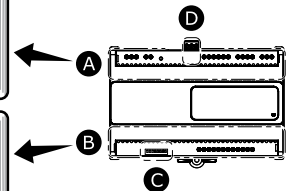
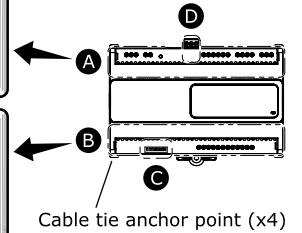
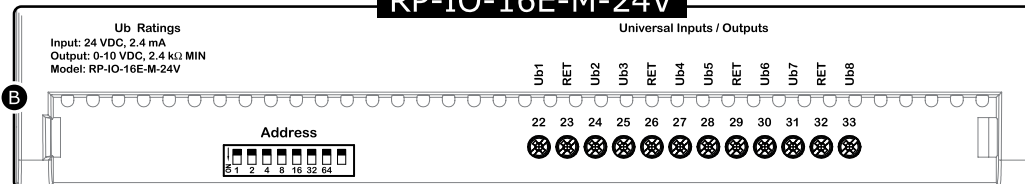
Torque: 0.56 to 0.79 Nm (5 to 7 lbf.in)



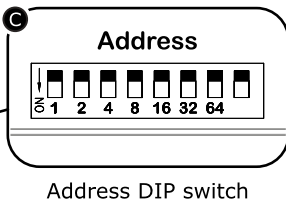
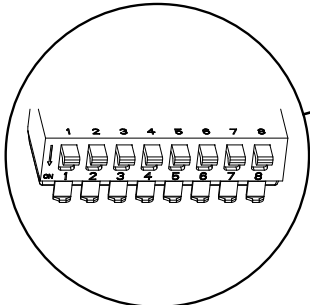
RP-IO-12A-M-24V



RP-IO-16E-M-24V



RS-485, screw terminals
 Maximum bus length:
 BACnet MS/TP bus: 1200 m (4000 ft)
 Torque: 0.56 to 0.79 Nm (5 to 7 lbf.in)



NOTE: Configure a unique MS/TP address during installation. Position 8 is not used.

More info See Hardware Ref. Guide

Configuring a Unique MS/TP Address

Configure a unique MS/TP address for the device during installation. Use position 1 to 7 on the Address DIP switch. Position 1 to 7 represent the binary values 1, 2, 4, 8, 16, 32, and 64. For example, to configure MS/TP address 6, set DIP switches 2 and 3 to ON and switches 1, 4, 5, 6, and 7 to OFF. For more information, see the SpaceLogic and EasyLogic - Hardware Reference Guide.

Wiring

Recommended screw tightening torque for removable screw terminal block: 0.56 to 0.79 Nm (5 to 7 lbf.in)
 Recommended screw tightening torque for fixed screw terminal blocks: 0.56 to 0.79 Nm (5 to 7 lbf.in)
 For information on wiring, see the SpaceLogic and EasyLogic - Hardware Reference Guide.

Part Numbers

Product	Part number
RP-IO-12A-M-24V	SXWRIOF12AM10001
RP-IO-16E-M-24V	SXWRIOF16EM10001
Optional covers	SXWRPCCOV10001

Part Numbers, continued

Product	Part number
DIN-rail end clip, 25 pieces	SXWDINEND10001

Specifications

AC input Nominal voltage 24 VAC \sim 50/60 Hz Power consumption 7 VA	Operation environment Ambient temperature, operating 0 to 50 °C (32 to 122 °F) at normal operation Humidity Maximum 95 % RH non-condensing	Voltage output rating 0 to 10 VDC --- , 2.4 kohm (min.) Channels RP-IO-12A-M: 8; -16E-M: 16 DO – Solid-state relay outputs Output rating 30 VAC \sim / 30 VDC --- , 2 A Max. 4 A total load Channels RP-IO-12A-M: 4; -16E-M: 0
DC input Nominal voltage 24 to 30 VDC --- Power consumption 3 W	Mechanical Ingress protection rating IP 20 Plastic flame rating UL94-5VB	
Port types RS-485 port RS-485 (3-pole screw terminal block)	Ub – Universal I/O Input rating 24 VDC --- , 2.4 mA	

Addendum - California Proposition 65 Warning Statement for California Residents

⚠ WARNING: This product can expose you to chemicals including lead which is known to the State of California to cause cancer and which is known to the State of California to cause birth defects or other reproductive harm. For more information go to www.P65Warnings.ca.gov

部件名称 (Part Name)	有害物质 (Hazardous Substances)					
	铅 (Pb)	汞 (Hg)	镉 (Cd)	六价铬 (Cr (VI))	多溴联苯 (PBB)	多溴二苯醚 (PBDE)
塑料部件 (Plastic Parts)	○	○	○	○	○	○
电子件 (Electronics)	X	○	○	○	○	○

本表格依据 SJ/T11364 的规定编制。(This table is made according to SJ/T 11364.)

○: 表示该有害物质在该部件所有均质材料中的含量均在 GB/T 26572 规定的限量要求以下。

(Indicates that the concentration of hazardous substance in all of the homogeneous materials for this part is below the limit as stipulated in GB/T 26572.)

X: 表示该有害物质至少在该部件的某一均质材料中的含量超出 GB/T 26572 规定的限量要求。

(Indicates that the concentration of hazardous substance in at least one of the homogeneous materials used for this part is above the limit as stipulated in GB/T 26572.)

