

SpaceLogic Sensors

Pressure - Dry Differential Analog

EP Series, Bluetooth® Enabled



Product Description

The SpaceLogic EP Series pressure sensor can measure either air pressure or velocity with the flip of a switch. The EP is available in three installation configurations: duct, panel or universal. Duct and panel models have two pressure and velocity options: 0-1 in. WC / 0-3,000 ft/min or 1-10 in. WC / 3,000-6,000 ft/min with four field-selectable sub-ranges. The universal model comes in one pressure/velocity range: 0-10 in. WC / 0-7,000 ft/min with seven field-selectable sub-ranges for pressure and eight for velocity. All variants are available with and without display. The EP has an IP65/NEMA 4 environmental rating and a 5-year limited warranty.

The Veris Sensors App provides the ability to connect to a device and configure a variety of field-selectable parameters remotely from a smartphone via Bluetooth wireless technology. The app allows users to create and store commonly used parameters that will reduce commissioning time and provide assurance that all parameters are properly configured with no call backs. The app can also create a trend log while connected, providing important data for troubleshooting purposes. iOS® users can download the app through the [iOS App Store](#) on their smart device. Android users can download the app through the [Google Play™ store](#). For instructions on downloading and

operating the app, see the Veris Sensors App User Guide or Veris Sensors App Quick Start Guide available on the Veris Industries website at www.veris.com.

Available Products

For a detailed part number matrix, see the EP Series Specification Sheet.

USA: +1 888-444-1311
Europe: +46 10 478 2000
Asia: +65 6484 7877
www.schneider-electric.com



© 2023 Schneider Electric, 12345 SW Leveton Drive, Tualatin, OR 97062 USA. All rights reserved. All trademarks are owned by Schneider Electric Industries SAS or its affiliated companies. The Bluetooth word mark and logos are registered trademarks owned by Bluetooth SIG, Inc. and any use of such marks is under license. October 2023 Z207540-0M

Specifications

| | |
|-------------------------|--|
| Media Compatibility | Dry or inert gas |
| Input Power | Three-wire Volt mode: 24 Vac ±20% or 12-30 Vdc*, Two-wire mA mode: 12-30 Vdc* |
| Output Power | Field-selectable: 2-wire, loop-powered 4-20 mA Minimum input voltage for 4 to 20 mA operation: 250 Ω loop = 12 Vdc; 500 Ω loop = 19 Vdc (DC only, clipped and capped), 24 Vac/dc or 3-wire 0-5V/0-10V Minimum load resistance for Volt operation: 5 kΩ |
| Pressure Range 1 | Pressure mode: Unidirectional: 0.1/0.25/0.5/1 in. WC, switch selectable Bidirectional: ±0.1/±0.25/±0.5/±1 in. WC, switch selectable Unidirectional: 25/50/100/250 Pa, switch selectable Bidirectional: ±25/±50/±100/±250 Pa, switch selectable Velocity mode: 500/1,000/2,000/3,000 ft/min, 2.5/5/10/15 m/s |
| Pressure Range 2 | Pressure mode: Unidirectional: 1.0/2.5/5/10 in. WC, switch selectable Bidirectional: ±1.0/±2.5/±5/±10 in. WC, switch selectable Unidirectional: 250/500/1,000/2,500 Pa, switch selectable Bidirectional: ±250/±500/±1,000/±2,500 Pa, switch selectable Velocity mode: 3,000/4,000/5,000/6,000 ft/min, 15/20/25/30 m/s |
| Pressure Range 5 | Pressure mode: Unidirectional: 0.1/0.25/0.5/1/2.5/5/10 in. WC, switch selectable Bidirectional: ±0.1/±0.25/±0.5/±1/±2.5/±5/±10 in. WC, switch selectable Unidirectional: 25/50/100/250/500/1,000/2,500 Pa, switch selectable Bidirectional: ±25/±50/±100/±250/±500k/±1,000/±2,500 Pa, switch selectable Velocity mode: 500/1,000/2,000/3,000/4,000/5,000/6,000/7,000 ft/min, 2.5/5/10/15/20/25/30/35 m/s |
| Response Time | Standard: T95 in 20 sec, Fast: T95 in 2 sec, DIP switch selectable |
| Mode | Unidirectional or bidirectional, DIP switch selectable |
| Display (Option) | Pressure mode: Signed 3-1/2 digit LCD, indicates pressure, overrange indicator Velocity mode: Signed 4-1/2 digit LCD, indicates velocity, overrange indicator |
| Proof Pressure | 1.44 psid (9,953 Pa) |
| Burst Pressure | 4.33 psid (29,860 Pa) |
| Pressure Mode Accuracy | ±1% FS (combined linearity and hysteresis) |
| Velocity Mode Accuracy | ±90 ft/min (±0.45 m/s) plus 5% of measured value** |
| Temperature Effect | 0.00048 in. WC/°C (0.12 Pa/°C) relative to 25 °C, 0 to 50 °C (32 to 122 °F) |
| Zero Drift (1 year)**** | ±5.0 Pa (±0.020 in WC) max. |
| Zero Adjust | Pushbutton auto-zero and digital input (2-position terminal block) |
| Operating Environment | -20 to 60 °C (-4 to 140 °F)*** |
| Altitude of Operation | 0 to 3,000 m |
| Pollution Degree | 2 |
| Humidity Range | 100% RH, non-condensing |
| Mounting Location | For indoor or outdoor use (display will not function below 0 °C (32 °F)) |
| Fittings | Brass barb; 0.24" (6.1 mm) o.d. |
| Suggested Cable | Shielded: Belden #9939 (22 AWG) 3-wire multi-conductor (or similar) Belden #9940 (22 AWG) 4-wire multi-conductor (or similar) Belden #9939 (22 AWG) 5-wire multi-conductor (or similar) Unshielded: Belden #8443 (22 AWG) 3-wire multi-conductor (or similar) Belden #8444 (22 AWG) 4-wire multi-conductor (or similar) Belden #8445 (22 AWG) 5-wire multi-conductor (or similar) |

USA: +1 888-444-1311
Europe: +46 10 478 2000
Asia: +65 6484 7877
www.schneider-electric.com



© 2023 Schneider Electric, 12345 SW Leveton Drive, Tualatin, OR 97062 USA. All rights reserved. All trademarks are owned by Schneider Electric Industries SAS or its affiliated companies. The Bluetooth word mark and logos are registered trademarks owned by Bluetooth SIG, Inc. and any use of such marks is under license.

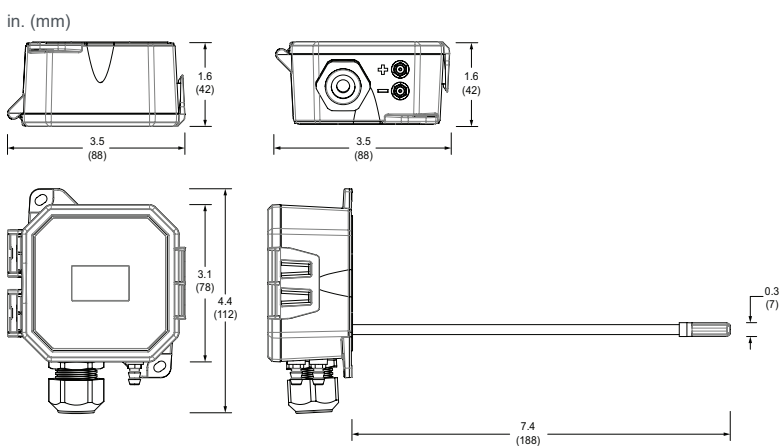
Specifications (cont.)

| | |
|---------------------------|---|
| Bluetooth Frequency Range | 2.402 to 2.480 GHz (Bluetooth version 4.2), enabled by DIP switch |
| Maximum Output Power | 0 dBm |
| Environmental Rating | IP65, NEMA 4 |
| Flammability Rating | UL 94 5VA fire retardant ABS, plenum rated |
| Limited Warranty | 5 years |

EMC Conformance: EN 61000-6-3 and A1, Class B, EN 61000-6-1 and EN61326-1.

* Class 2/II power source.
** For measured values between 200 and 7000 ft/min (1 and 35 m/s).
*** Display will not function below 0 °C (32 °F).
**** Can be compensated for using the Zero Reset function.

Dimensions



Safety Precautions

⚠ WARNING

HAZARD OF ELECTRIC SHOCK, EXPLOSION OR ARC FLASH

- Apply appropriate personal protective equipment (PPE) and follow safe electrical work practices. See NFPA 70E or CSA Z462.
- This equipment must only be installed and serviced by qualified electrical personnel.
- Turn off all power supplying this equipment before working on or inside equipment.
- Always use a properly rated voltage sensing device to confirm power is off.
- Replace all devices, doors and covers before turning on power to this equipment.

Failure to follow these instructions can result in death, serious injury or equipment damage.

This product is intended for use in HVAC and building environmental control applications. It is not intended for direct medical monitoring of patients. Read and understand these instructions before installing this product. The installer is responsible for all applicable codes. If this product is used in a manner not specified by the manufacturer, the protection provided by the product may be impaired. No responsibility is assumed by the manufacturer for any consequences arising out of the use of this material.

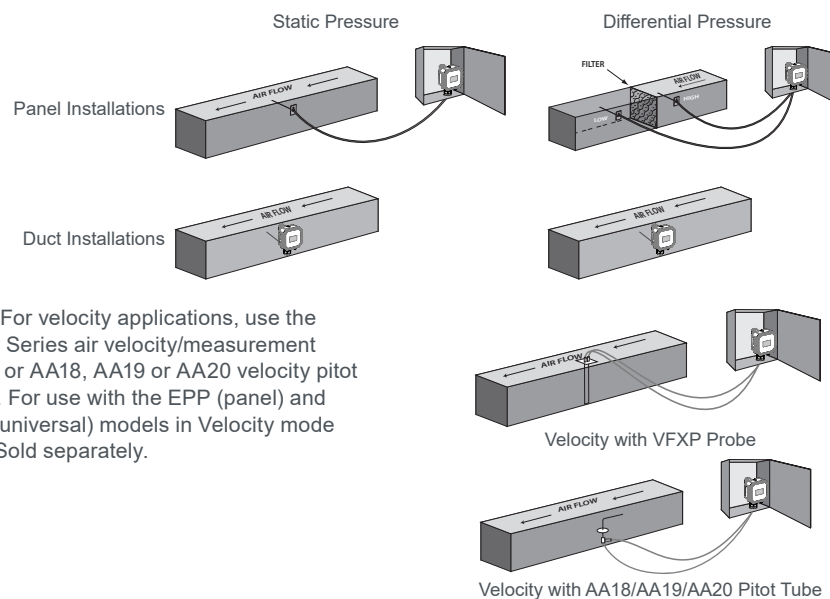
USA: +1 888-444-1311
Europe: +46 10 478 2000
Asia: +65 6484 7877
www.schneider-electric.com



© 2023 Schneider Electric, 12345 SW Leveton Drive, Tualatin, OR 97062 USA. All rights reserved. All trademarks are owned by Schneider Electric Industries SAS or its affiliated companies. The Bluetooth word mark and logos are registered trademarks owned by Bluetooth SIG, Inc. and any use of such marks is under license.

Installation, Wiring & Configuration

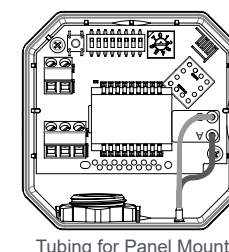
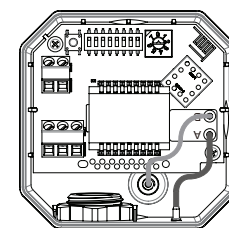
1. Plan the installation. Panel or duct mount?



Note: For velocity applications, use the VFXP Series air velocity/measurement probe or AA18, AA19 or AA20 velocity pitot tubes. For use with the EPP (panel) and EPU (universal) models in Velocity mode only. Sold separately.

- For duct mount applications, thread the probe into the back of the device housing as shown in the dimensional drawing.
- Configure the internal tubing for the selected installation method as described below.

- Duct mount tubing configuration:**
- Connect the right-side tube to the rear brass barb marked as "-" on the underside of the device housing.
 - Connect the left-side tube to the probe in the back of the device housing.
- Panel mount tubing configuration:**
- Connect the right-side tube to the rear brass barb marked as "-" on the underside of the device housing.
 - Connect the left-side tube to the front brass barb marked as "+" on the underside of the device housing.



USA: +1 888-444-1311
Europe: +46 10 478 2000
Asia: +65 6484 7877
www.schneider-electric.com

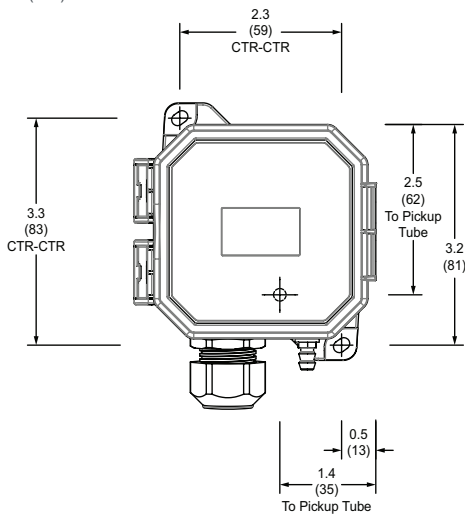


© 2023 Schneider Electric, 12345 SW Leveton Drive, Tualatin, OR 97062 USA. All rights reserved. All trademarks are owned by Schneider Electric Industries SAS or its affiliated companies. The Bluetooth word mark and logos are registered trademarks owned by Bluetooth SIG, Inc. and any use of such marks is under license.

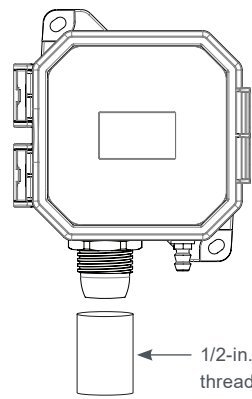
Installation, Wiring & Configuration (cont.)

4. Mount the transducer (see the screw hole diagram below).

in. (mm)



5. For applications using conduit, remove the cable gland nut on the bottom of the unit. Thread a standard 1/2-in. NPT female threaded coupler onto the body of the cable gland. Connect the opposite end of the coupler to the conduit.



6. Set DIP switches to desired settings.*

DIP Switch 1: Scale
ON = Pascal (m/s)
OFF = In. WC (ft/min)

DIP Switch 2: Mode
ON = Velocity
OFF = Pressure

DIP Switch 3: Direction**
ON = Unidirectional
OFF = Bidirectional

DIP Switch 4: Response
ON = Slow
OFF = Fast

DIP Switch 5: Output
ON = 4-20 mA
OFF = Voltage

DIP Switch 6: Volt Scale
ON = 0-5 Vdc
OFF = 0-10 Vdc

DIP Switch 7: Wireless
ON = Disabled
OFF = Enabled

DIP Switch 8: Unused

*DIP switches are all set to OFF by the factory.

**Velocity mode is unidirectional regardless of DIP switch setting.

DIP Switch Settings

| | Scale | Mode | Direction | Response | Output | Volt Scale | Wireless | Unused |
|------------|-----------------|----------|-----------|----------|--------|------------|----------|--------|
| ON | Pascal / m/s | Velocity | Uni | Slow | mA | 5V | Disabled | Unused |
| OFF | In. WC / ft/min | Pressure | Bi | Fast | Volt | 10V | Enabled | Unused |
| | 1 | 2 | 3 | 4 | 5 | 6 | 7 | 8 |

USA: +1 888-444-1311
Europe: +46 10 478 2000
Asia: +65 6484 7877
www.schneider-electric.com

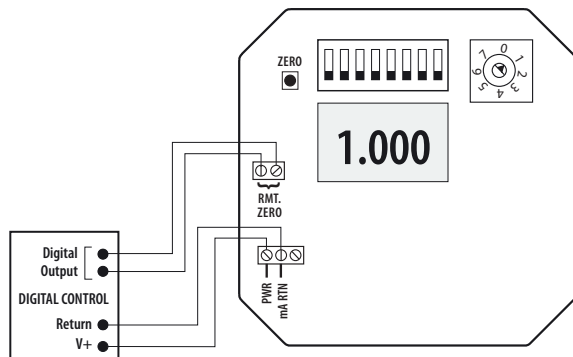
Schneider
Electric

© 2023 Schneider Electric, 12345 SW Leveton Drive, Tualatin, OR 97062 USA. All rights reserved. All trademarks are owned by Schneider Electric Industries SAS or its affiliated companies. The Bluetooth word mark and logos are registered trademarks owned by Bluetooth SIG, Inc. and any use of such marks is under license.

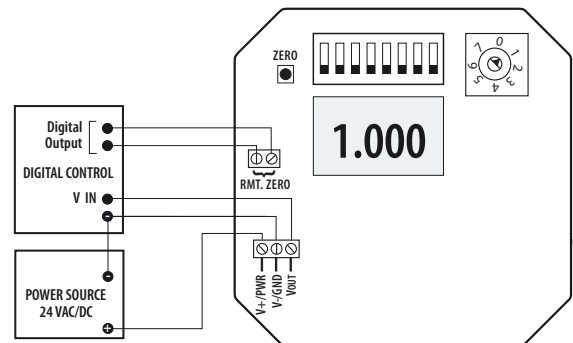
Installation, Wiring & Configuration (cont.)

8. Connect the transmitter to the control system and power supply as indicated below. Optional: Connect the ZERO terminals to the digital output (contact closure) of the control system.

2-wire, 4-20 mA Current Loop Output



3-wire, 0-5 V/0-10 V Voltage Output



9. Wait five seconds, then press and hold the ZERO pushbutton for two seconds or provide contact closure on the AUX ZERO terminal. This will reset the output and display to zero pressure. For best accuracy, press the ZERO button while both ports are open to atmospheric pressure. To protect the unit from accidental zero, this feature is enabled only when the detected pressure is within about 0.5 in. WC (125 Pa) of factory calibration.

10. Connect desired external tubing to the device.

USA: +1 888-444-1311
Europe: +46 10 478 2000
Asia: +65 6484 7877
www.schneider-electric.com

Schneider
Electric

© 2023 Schneider Electric, 12345 SW Leveton Drive, Tualatin, OR 97062 USA. All rights reserved. All trademarks are owned by Schneider Electric Industries SAS or its affiliated companies. The Bluetooth word mark and logos are registered trademarks owned by Bluetooth SIG, Inc. and any use of such marks is under license.

Installation, Wiring & Configuration (cont.)

7. Set rotary switch to desired range setting. Align the arrow (not the slot) on the rotary switch to the desired full-scale range. LCD models momentarily indicate the selected range.

Rotary Switch Settings

Range 1 Model, Field Selectable

(WC / ft/min or Pa / m/s)

| (P) Pressure Mode | (V) Velocity Mode |
|--------------------|---------------------|
| 0 0 to 0.1 in. WC | 0 0 to 500 ft/min |
| 1 0 to 0.25 in. WC | 1 0 to 1,000 ft/min |
| 2 0 to 0.5 in. WC | 2 0 to 2,000 ft/min |
| 3 0 to 1 in. WC | 3 0 to 3,000 ft/min |
| 4 0 to 0.1 in. WC | 4 0 to 500 ft/min |
| 5 0 to 0.25 in. WC | 5 0 to 1,000 ft/min |
| 6 0 to 0.5 in. WC | 6 0 to 2,000 ft/min |
| 7 0 to 1 in. WC | 7 0 to 3,000 ft/min |

| (P) Pressure Mode | (V) Velocity Mode |
|-------------------|-------------------|
| 0 0 to 25 Pa | 0 0 to 2.5 m/s |
| 1 0 to 50 Pa | 1 0 to 5 m/s |
| 2 0 to 100 Pa | 2 0 to 10 m/s |
| 3 0 to 250 Pa | 3 0 to 15 m/s |
| 4 0 to 25 Pa | 4 0 to 2.5 m/s |
| 5 0 to 50 Pa | 5 0 to 5 m/s |
| 6 0 to 100 Pa | 6 0 to 10 m/s |
| 7 0 to 250 Pa | 7 0 to 15 m/s |

Range 2 Model, Field Selectable

(WC / ft/min or Pa / m/s)

| (P) Pressure Mode | (V) Velocity Mode |
|-------------------|---------------------|
| 0 0 to 1 in. WC | 0 0 to 3,000 ft/min |
| 1 0 to 2.5 in. WC | 1 0 to 4,000 ft/min |
| 2 0 to 5 in. WC | 2 0 to 5,000 ft/min |
| 3 0 to 10 in. WC | 3 0 to 6,000 ft/min |
| 4 0 to 1 in. WC | 4 0 to 3,000 ft/min |
| 5 0 to 2.5 in. WC | 5 0 to 4,000 ft/min |
| 6 0 to 5 in. WC | 6 0 to 5,000 ft/min |
| 7 0 to 10 in. WC | 7 0 to 6,000 ft/min |

Range 2 Model (cont.)

| (P) Pressure Mode | (V) Velocity Mode |
|-------------------|-------------------|
| 0 0 to 250 Pa | 0 0 to 15 m/s |
| 1 0 to 500 Pa | 1 0 to 20 m/s |
| 2 0 to 1,000 Pa | 2 0 to 25 m/s |
| 3 0 to 2,500 Pa | 3 0 to 30 m/s |
| 4 0 to 250 Pa | 4 0 to 15 m/s |
| 5 0 to 500 Pa | 5 0 to 20 m/s |
| 6 0 to 1,000 Pa | 6 0 to 25 m/s |
| 7 0 to 2,500 Pa | 7 0 to 30 m/s |

Range 5 Model, Field Selectable

(P) Pressure or (V) Velocity Mode, Field Selectable (WC / ft/min or Pa / m/s)

| (P) Pressure Mode | (V) Velocity Mode |
|--------------------|---------------------|
| 0 0 to 0.1 in. WC | 0 0 to 500 ft/min |
| 1 0 to 0.25 in. WC | 1 0 to 1,000 ft/min |
| 2 0 to 0.5 in. WC | 2 0 to 2,000 ft/min |
| 3 0 to 1 in. WC | 3 0 to 3,000 ft/min |
| 4 0 to 2.5 in. WC | 4 0 to 4,000 ft/min |
| 5 0 to 5 in. WC | 5 0 to 5,000 ft/min |
| 6 0 to 10 in. WC | 6 0 to 6,000 ft/min |
| 7 0 to 10 in. WC | 7 0 to 7,000 ft/min |

| (P) Pressure Mode | (V) Velocity Mode |
|-------------------|-------------------|
| 0 0 to 25 Pa | 0 0 to 2.5 m/s |
| 1 0 to 50 Pa | 1 0 to 5 m/s |
| 2 0 to 100 Pa | 2 0 to 10 m/s |
| 3 0 to 250 Pa | 3 0 to 15 m/s |
| 4 0 to 250 Pa | 4 0 to 20 m/s |
| 5 0 to 1,000 Pa | 5 0 to 25 m/s |
| 6 0 to 2,500 Pa | 6 0 to 30 m/s |
| 7 0 to 2,500 Pa | 7 0 to 35 m/s |

USA: +1 888-444-1311
Europe: +46 10 478 2000
Asia: +65 6484 7877
www.schneider-electric.com

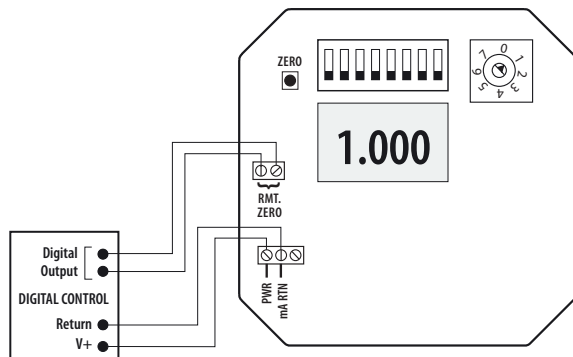
Schneider
Electric

© 2023 Schneider Electric, 12345 SW Leveton Drive, Tualatin, OR 97062 USA. All rights reserved. All trademarks are owned by Schneider Electric Industries SAS or its affiliated companies. The Bluetooth word mark and logos are registered trademarks owned by Bluetooth SIG, Inc. and any use of such marks is under license.

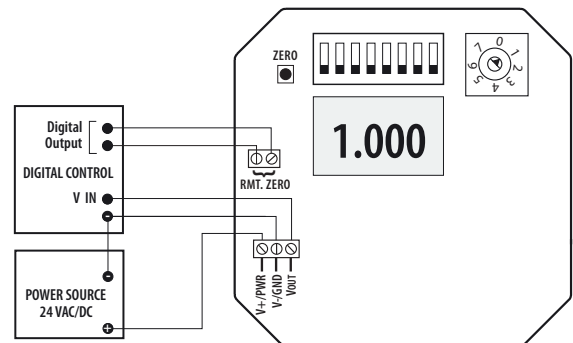
Installation, Wiring & Configuration (cont.)

8. Connect the transmitter to the control system and power supply as indicated below. Optional: Connect the ZERO terminals to the digital output (contact closure) of the control system.

2-wire, 4-20 mA Current Loop Output



3-wire, 0-5 V/0-10 V Voltage Output



9. Wait five seconds, then press and hold the ZERO pushbutton for two seconds or provide contact closure on the AUX ZERO terminal. This will reset the output and display to zero pressure. For best accuracy, press the ZERO button while both ports are open to atmospheric pressure. To protect the unit from accidental zero, this feature is enabled only when the detected pressure is within about 0.5 in. WC (125 Pa) of factory calibration.

10. Connect desired external tubing to the device.

USA: +1 888-444-1311
Europe: +46 10 478 2000
Asia: +65 6484 7877
www.schneider-electric.com

Schneider
Electric

© 2023 Schneider Electric, 12345 SW Leveton Drive, Tualatin, OR 97062 USA. All rights reserved. All trademarks are owned by Schneider Electric Industries SAS or its affiliated companies. The Bluetooth word mark and logos are registered trademarks owned by Bluetooth SIG, Inc. and any use of such marks is under license.

Operation

EP Series devices employ high performance sensors and sophisticated temperature compensation circuitry. The sensor achieves its best accuracy after an initial warm-up period. During the first few minutes of operation, readings at zero pressure and the lowest pressure ranges may appear erroneous. Following this initial warm-up period, the EP device maintains its specified accuracy and stability.

China RoHS Compliance Information

| 部件名称 | 有害物质 - Hazardous Substances | | | | | |
|-------------------|-----------------------------|--------|--------|---------------|------------|--------------|
| Part Name | 铅 (Pb) | 汞 (Hg) | 镉 (Cd) | 六价铬 (Cr (VI)) | 多溴联苯 (PBB) | 多溴二苯醚 (PBDE) |
| 电子件 Electronic | X | O | O | O | O | O |

本表格依据SJ/T11364的规定编制。

O: 表示该有害物质在该部件所有均质材料中的含量均在GB/T 26572规定的限量要求以下。
X: 表示该有害物质至少在该部件的某一均质材料中的含量超出GB/T 26572规定的限量要求。
(企业可在此处, 根据实际情况对上表中打 X 的技术原因进行进一步说明。)

This table is made according to SJ/T 11364.

O: indicates that the concentration of hazardous substance in all of the homogeneous materials for this part is below the limit as stipulated in GB/T 26572.

X: indicates that concentration of hazardous substance in at least one of the homogeneous materials used for this part is above the limit as stipulated in GB/T 26572

Z000057-0B

This device complies with part 15 of the FCC Rules. Operation is subject to the following two conditions: (1) This device may not cause harmful interference, and (2) this device must accept any interference received, including interference that may cause undesired operation.

Changes or modifications not expressly approved by the party responsible for compliance could void the user's authority to operate the equipment.

This device complies with Industry Canada license-exempt RSS standard(s). Operation is subject to the following two conditions: (1) this device may not cause

LCD Display: The display momentarily indicates range 'SET' when a selection is made. Pressure is normally indicated on the display. Units are in inches water column (in. WC), Pascals (Pa) or kilopascals (kPa) as indicated on the display. The display shows 'OVR' when the pressure is over range.

interference, and (2) this device must accept any interference, including interference that may cause undesired operation of the device.

Cet appareil est conforme aux normes d'exemption de licence RSS d'Industry Canada. Son fonctionnement est soumis aux deux conditions suivantes : (1) cet appareil ne doit pas causer d'interférence et (2) cet appareil doit accepter toute interférence, notamment les interférences qui peuvent affecter son fonctionnement.

USA: +1 888-444-1311
Europe: +46 10 478 2000
Asia: +65 6484 7877
www.schneider-electric.com

Schneider
Electric

© 2023 Schneider Electric, 12345 SW Leveton Drive, Tualatin, OR 97062 USA. All rights reserved. All trademarks are owned by Schneider Electric Industries SAS or its affiliated companies. The Bluetooth word mark and logos are registered trademarks owned by Bluetooth SIG, Inc. and any use of such marks is under license.