



PASxx Series



PASxx

MONITOR AIR DUCTS, FILTERS & FANS

FEATURES

- Easy to install
- User-friendly snap cover
- Case geometry allows easy cable lead-in
- Cable strain relief integrated in PG11 (DIN 40430)
- High adjustment accuracy through individual laser etched scale
- Long-term stability of switching points through trapezoidal bead diaphragm
- Multi-layer gold plated contact

DESCRIPTION

This series of four PASxx differential air flow switches are intended for use in air handling systems for the monitoring of air ducts, filters and fans.

The enclosure is plastic with a rating of IP54. A set-point adjustment is provided under the clip-on clear plastic cover.

Supplied complete with mounting adaptor ring, two straight duct probes and a 6-foot length of clear tubing.

APPLICATIONS

- High pressure monitoring
- Vacuum pressure monitoring
- Filter monitoring
- Fan monitoring

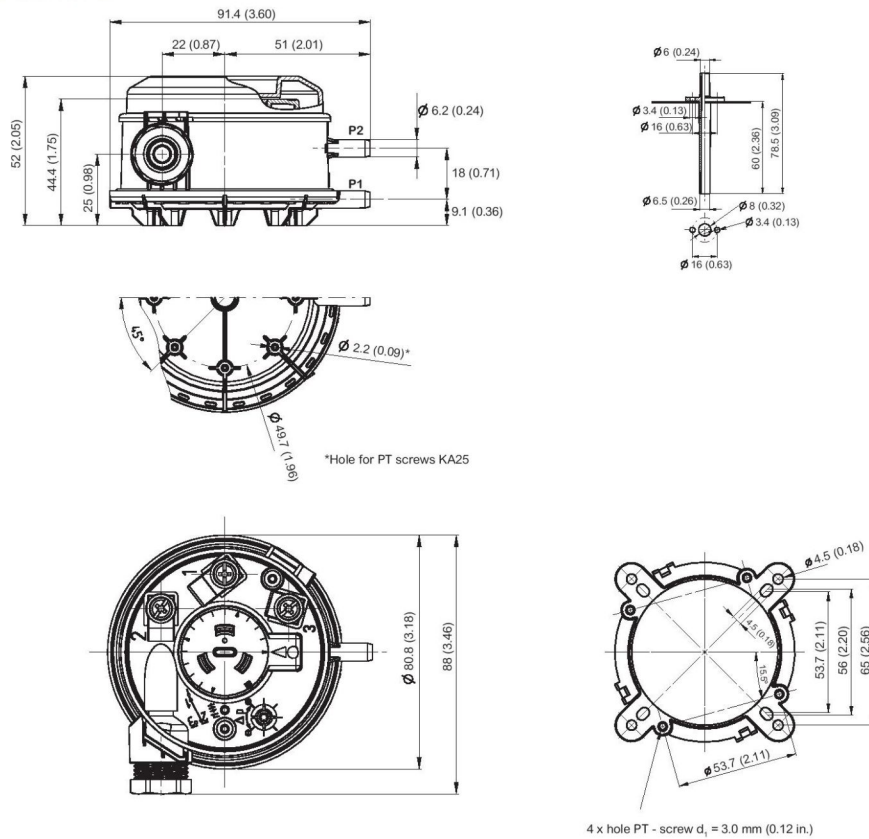
SPECIFICATIONS

Medium	Air and neutral gases	
Pressure range	See Ordering Information table	
Set-point scale	Inches WC	
Tolerable overload on one side	20 in. WC at -22 to +185 °F	
Repeatability	PAS01	±2.5 (0.01 in. WC)
	PAS02	±5 (0.02 in. WC)
	PAS03	±5 (0.02 in. WC)
	PAS04	±5 (0.02 in. WC)
Switching load	Resistive load	5 A at 250 Vac 4 A at 30 Vdc
	Inductive	0.8 A at 250 Vac 0.7 A at 30 Vdc
Materials in contact with the medium	Case: PC 10% GF Cover: PC Diaphragm: Silicone LSR tempered 200 °C, free of gas emissions	
Operating temperature	Medium/ambient	-22 to +185 °F (-30 to +85 °C)
	Storage	-40 to +185 °F (-40 to +85 °C)
Service life	Mechanical > 106 switching cycles	
Electrical connection	Screw terminals Cable gland type PG11 (DIN 40430) complete with cable strain relief	
Switch contact type	SPDT (change-over)	
Protection standard	Without cover	IP00
	With cover	IP54
Pressure connections	Pipe Ø 6.2 mm	
Tests/admissions	EU Conformity: Electromagnetic Compatibility: CE ¹ conformity according to EN 60730-2-6:2008 Low Voltage Directive: 2014/35/EU Gas Appliance Directive: 2009/142/EC Pressure Sensing Devices for Gas Burners and Gas Burning Appliances: EN 1854:2010 EU Directive on RoHS: 2011/65/EU	

1. The CE mark indicates RoHS2 compliance. Please refer to the CE Declaration of Conformity for additional details.



DIMENSIONAL DRAWING



FUNCTIONALITY

The pressure switch has two separate pressure chambers, each with its own connection. The switch operates when the setpoint is either exceeded or not reached.

Vacuum Monitoring

Connect the pressure switch via P2. Do not connect P1. Leave P1 open. Make sure that dirt cannot get into P1.

High Pressure Monitoring

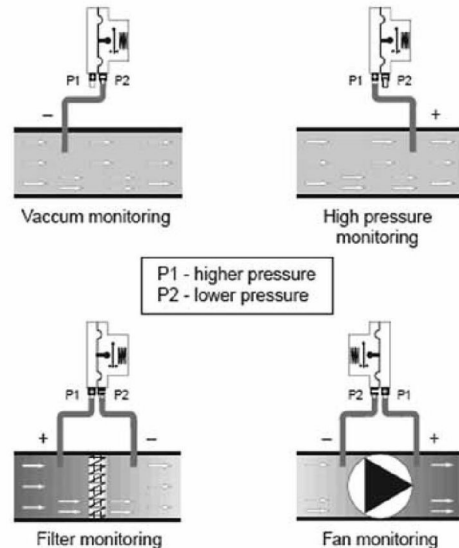
Connect the pressure switch via Pa. Do not Connect P2. Leave P2 open. Make sure that dirt cannot get into P2.

Filter Monitoring

Connect P1 before the filter and P2 after it.

Fan Monitoring

Connect P1 after the fan (in blowing direction) and P2 before the fan.



ORDERING INFORMATION



PART NUMBER	DESCRIPTION	PRESSURE RANGE
PAS01	Differential Air Pressure Switch	0.08 to 1.2 in. WC (20 to 300 Pa)
PAS02	Differential Air Pressure Switch	0.2 to 2.0 in. WC (50 to 500 Pa)
PAS03	Differential Air Pressure Switch	0.4 to 4.0 in. WC (100 to 1000 Pa)
PAS04	Differential Air Pressure Switch	2.0 to 8.0 in. WC (500 to 2000 Pa)